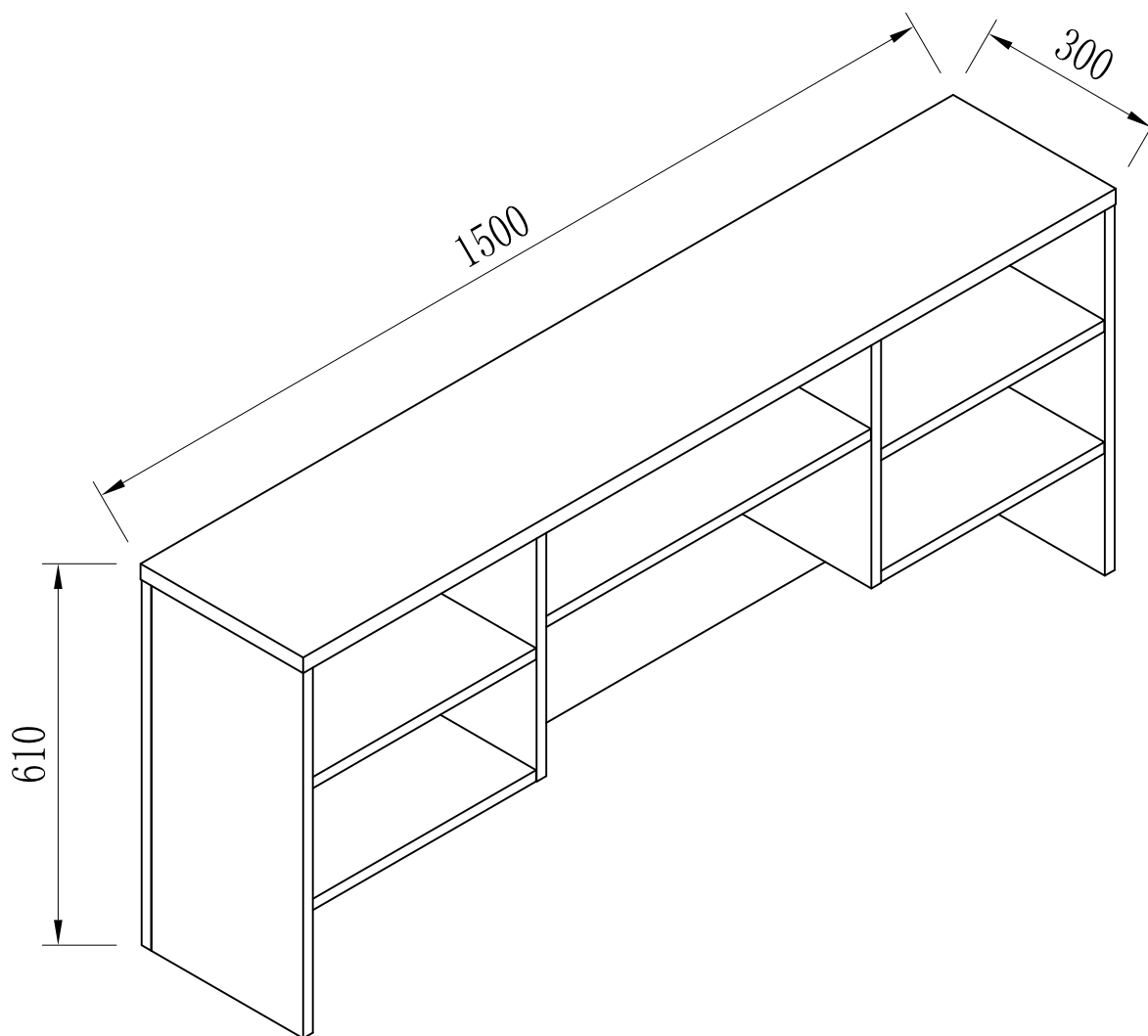




ASSEMBLY INSTRUCTION EAGLEFIELD DESK HUTCH ITEM CODE 61315

Imported by Amart Furniture Pty Ltd. Qld. Brisbane Australia.
For any assistance with assembly or for missing parts please phone
Amart Furniture Ewing Road, Customer Service Free call 1800 351 084

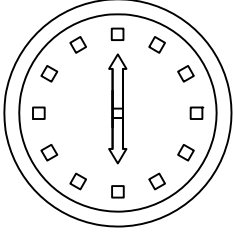
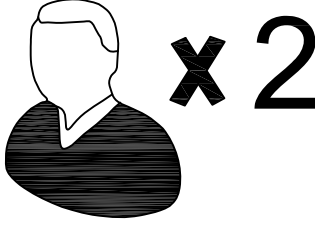



Imported by Amart Furniture Pty Ltd. Qld. Brisbane Australia.
For any assistance with assembly or for missing parts please phone Amart Furniture
Ewing Road, Customer Service Free call 1800 351 084

PRE-ASSEMBLY PREPARATION

Before you start:

1. Choose a clean, level, spacious assembly area. Avoid hard surfaces that may damage the product
2. Take care when lifting. Product should be assembled as near as possible to the point of use
3. Ensure that you have all required contents for complete assembly.
4. Always read the assembly instructions carefully before beginning assembly.
5. Keep all hardware parts and packaging out of reach of small children.
6. Do not over tighten the screws and bolts as this may damage the threads

 <p>ALLOW 30 MINUTES</p>	 <p>2 PEOPLE REQUIRED</p>
 <p>ADDITIONAL TOOLS REQUIRED</p>	

CAM Lock and Pins

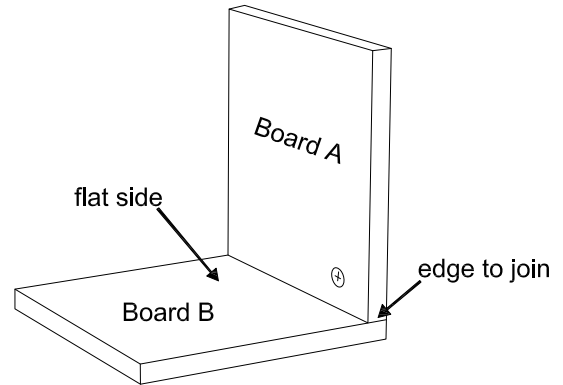
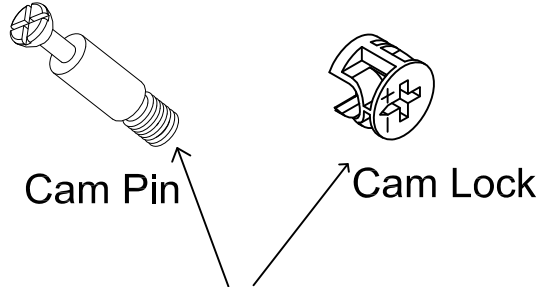
step 1

HOW TO USE CAM LOCK FASTENERS

To assemble this product hardware called Cam Lock Fasteners are used.

The below is information on how these work.

Cam Locks are fasteners used to join two boards together, usually the edge of one board(A) to the flat side of another board(B)



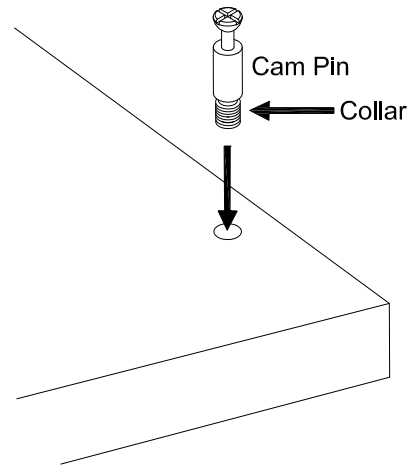
Ensure that you use the correct images that are representative of the hardware used in the product

step 2

To use Cam Lock Fasteners

The Cam Pin is inserted into the flat side of a board, it is important that:

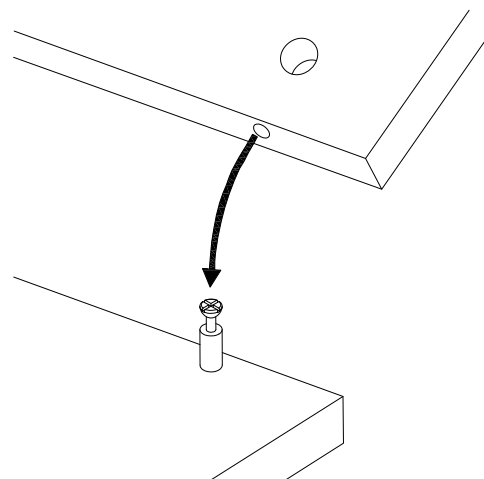
- * The cam pin is kept vertical and is not put in on an angle
- * Cam Pin is inserted up to the collar
 - * Too far and it wont catch the Cam Lock (Do not Over Tighten)
 - * Not enough and the resulting product wont be stable



step 3

To use Cam Lock Fasteners

Now fit the hole in the edge of the joining board over the Cam Pin

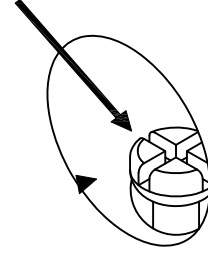


step 4

To use Cam Lock Fasteners

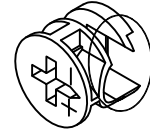
The Head of the Cam Pin will be visible in the large hole on the side of the joining board

head of the Cam Pin



To use Cam Lock Fasteners

Notice the Cam Lock has a "C" Shaped back An Arrow or +/- signs on the front, indicated the open section on the back of the Cam Pin



Cam Lock

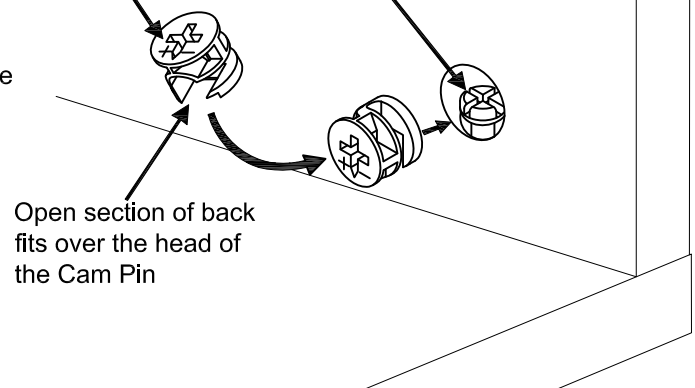
step 5

To use Cam Lock Fasteners

In sert the Cam Lock into the large hole so the opening of the "C" fits over the head of the Cam Pin. You must ensure that the Cam Lock is pushed to the bottom of the hole to catch the top of the Cam Pin

Arrow or +/- signs

head of the Cam Pin

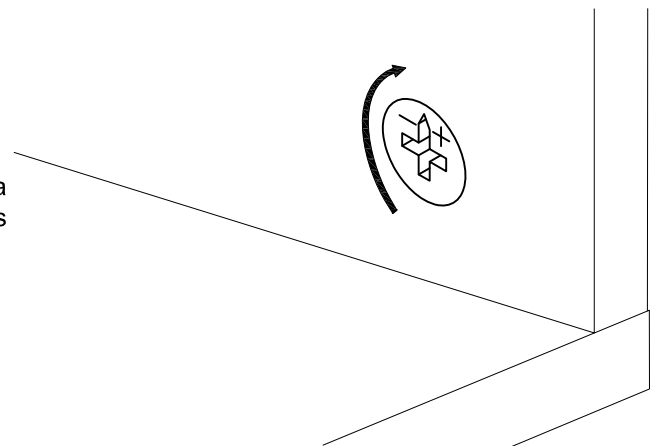


Open section of back fits over the head of the Cam Pin

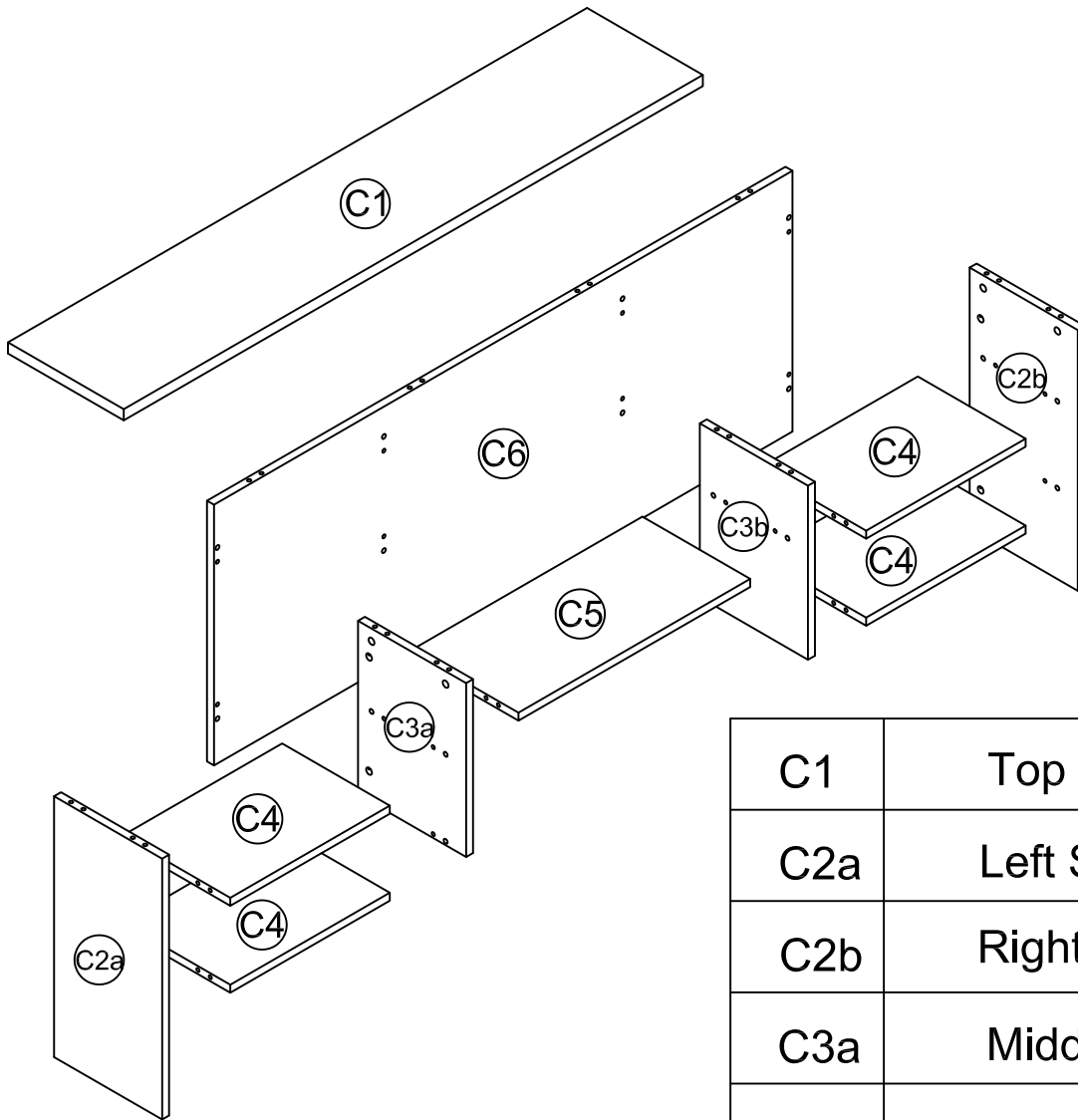
step 6

To use Cam Lock Fasteners

Use a flat screwdriver to turn the Cam Lock clockwise one half a turn so it Locks onto the head of the Cam Pin. Turn only until it is snug-over-tightening could cause the Cam to bend or break. If it will not turn the full amount, turn the Cam Pin out (counter-clockwise) one full turn, and try the Cam Lock again.



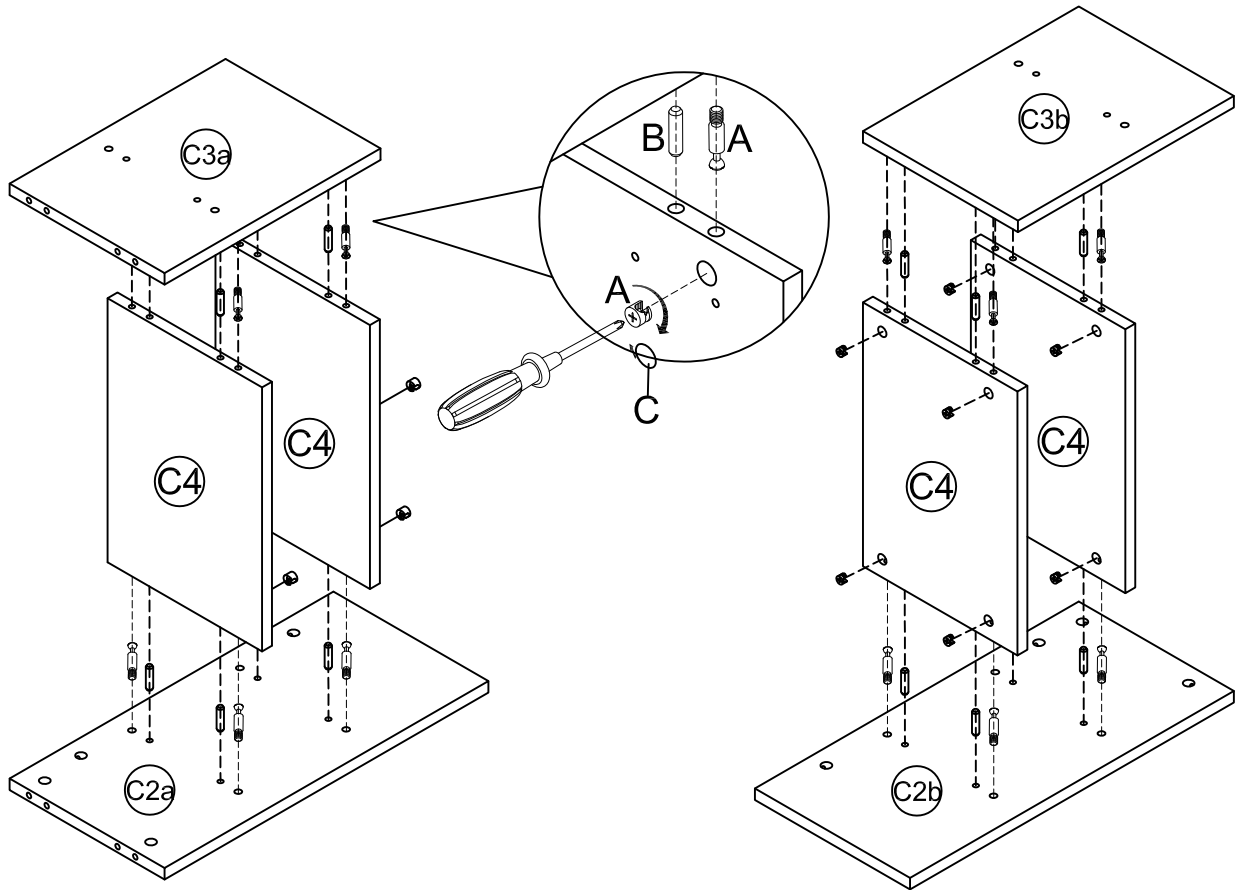
PARTS LIST



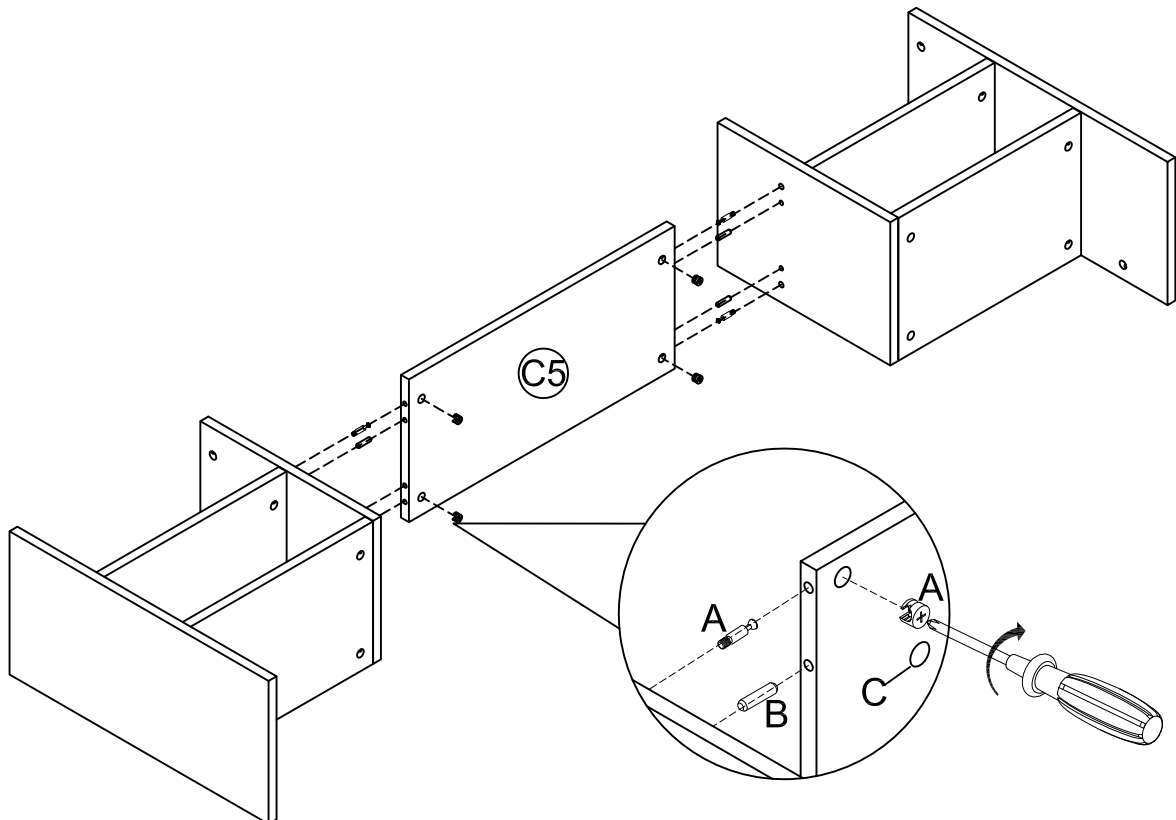
C1	Top Panel
C2a	Left Side Panel
C2b	Right Side Panel
C3a	Middle Panel
C3b	Middle Panel
C4	Shelf Panel
C5	Middle Shelf Panel
C6	Back Panel

A. Cam lock and Cam pin Ø15X35	B. Dowel Ø8X30	C. Cover Ø3.5X20
40PCS	40PCS	40PCS

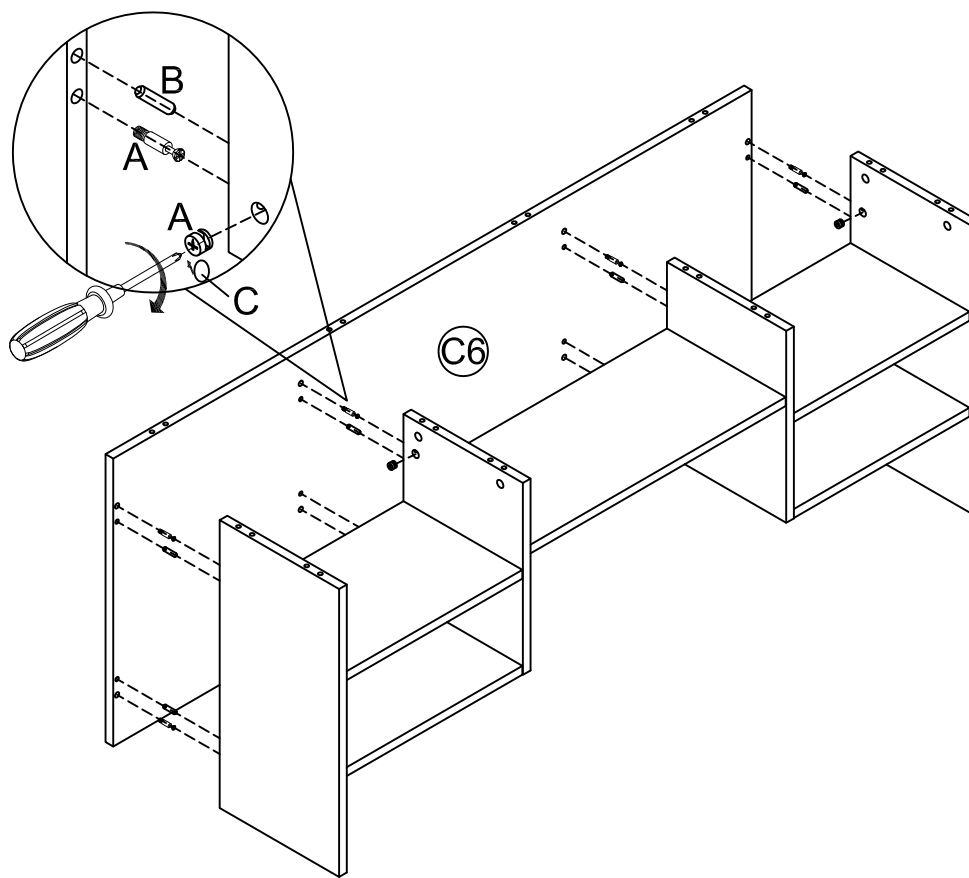
STEP 1: Insert the Dowel(B)to the Shelf Panel(C4).Use a Pillips Head Screw Driver to tighten Cam Pin(A)to the Left Side and Right Side Panel(C2a,C2b)and Middle Panel(C3a.C3b).Use a Pillips Head Screw Driver to tighten Cam Lock(A)to the Cam Pin(A).



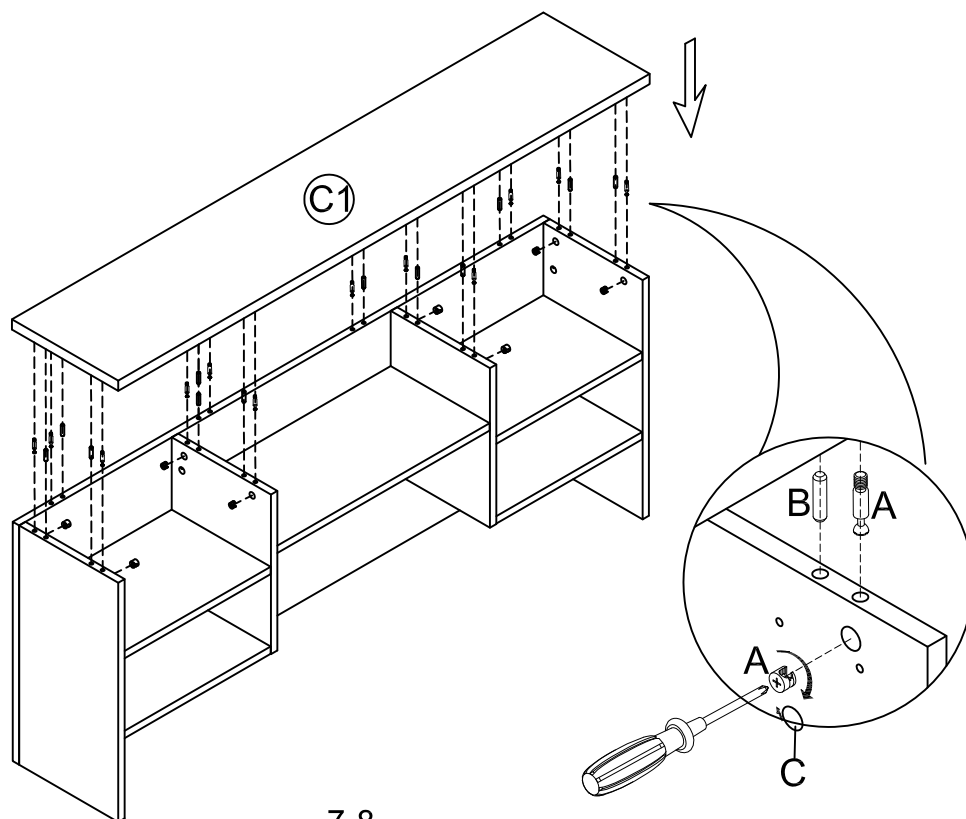
STEP 2: Insert the Dowel(B)to the Shelf Panel(C5).Use a Pillips Head Screw Driver to tighten Cam Pin(A)to the Middle Panel(C3a.C3b).Use a Pillips Head Screw Driver to tighten Cam Lock(A)to the Cam Pin(A).



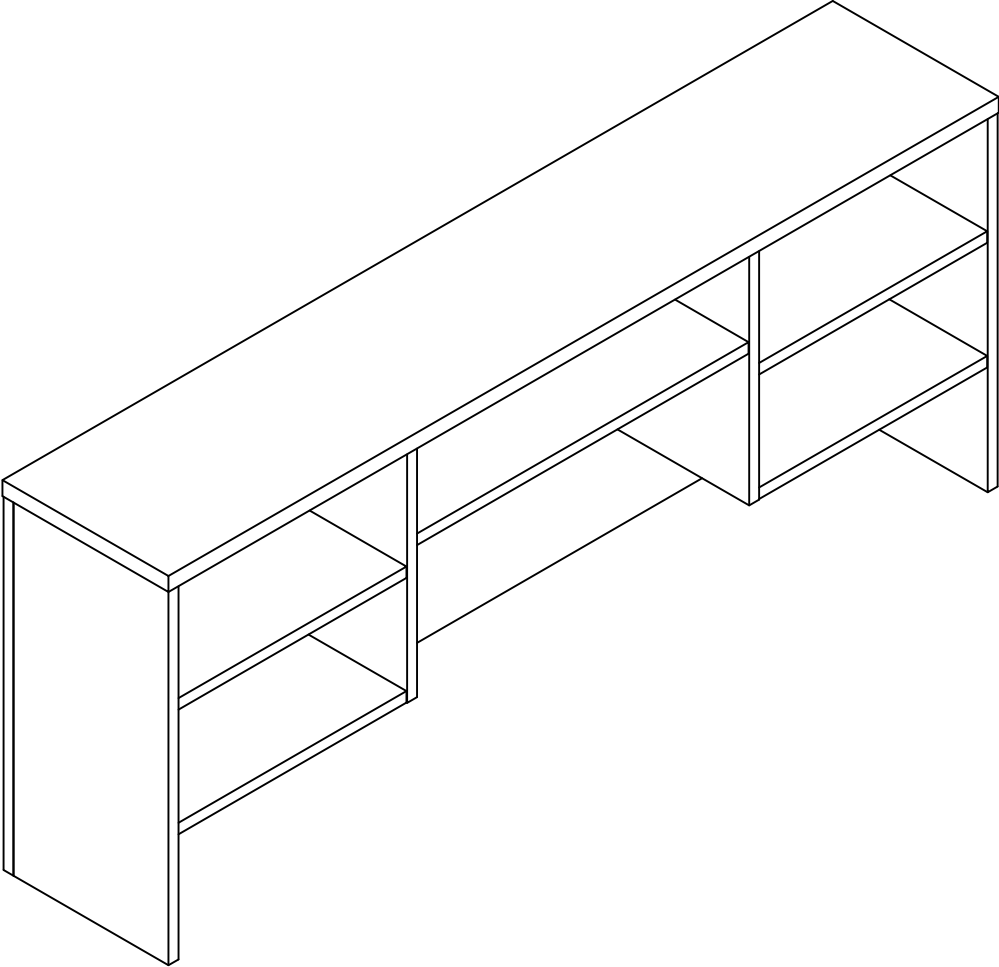
STEP 3: Insert the Dowel(B)to the Back Panel(C6).Use a Pillips Head Screw Driver to tighten Cam Pin(A)to the Back Panel(C6).Use a Pillips Head Screw Driver to tighten Cam Lock(A)to theCam Pin(A).Put on the Cap(C)to the Cam Lock(A).



STEP 4: Insert the Dowel(B)to the Top Panel(C1).Use a Pillips Head Screw Driver to tighten Cam Pin(A)to the Top Panel(C1).Use a Pillips Head Screw Driver to tighten Cam Lock(A)to theCam Pin(A).Put on the Cap(C)to the Cam Lock(A).



Assembly is complete.



IMPORTANT: CARE GUIDE FOR YOUR HI-GLOSS FURNITURE

Congratulations! You have just purchased a quality product from Super Amart, Australia's largest discount furniture retail store. Please read on for important information regarding your purchase...

Hi-gloss lacquered furniture is more sensitive to marks and scratching than some other furniture products. It is important to exercise caution and care to maximise the life and beauty of this product.

Following the below simple guidelines when using your hi-gloss product will protect your investment for years to come:

- Dust frequently with a clean damp, lint-free cloth. This will help remove abrasive build up which can damage a finish over time.
- Avoid using chemicals or solvents when cleaning the product.
- Do not place hot objects on any furniture surface. Always use a hot plate or placemat. Lacquer finishes provide added scratch and heat resistance to our furniture, but they can still be damaged without proper care.
- Avoid exposing your furniture to strong sunlight. Prolonged exposure to direct sunlight can fade the finish of your furniture.
- Do not expose your furniture to any liquids. Avoid allowing water to sit on your furniture. Alcohol, nail polish and perfume are particularly harmful as they will dissolve the lacquer finish on contact.
- Do not allow plastic to come in direct contact with your furniture. Chemicals in the plastic of some placemats etc may soften and mark the finish if left in contact with the furniture for a period of time.
- Avoid placing sharp or rough objects on the surface of your furniture. These may scratch the surface of the product.
- When moving your furniture, do not drag it across the floor. This may damage the product. Instead use two people to lift carefully with caution from either end.